

**Product Datasheet model uvex megasonic 9320 265**

**UVEX ARBEITSSCHUTZ GMBH, Würzburger Str. 181-189,  
D-90766 Fürth**

**1. Product Characteristics**


- functional safety goggle in ski goggle design with a truly panoramic field of vision
- unique frameless lens design for edge-to-edge optical clarity and increased safety
- soft, adaptive face seal providing a universal fit for different head and facial shapes as well as a tight fit without pressure points
- generous internal volume to accommodate prescription spectacles and frame recesses to locate the side arms ensuring a comfortable fit
- indirect ventilation system increases air circulation
- length-adjustable 30 mm wide textile headband for optimal low pressure hold and individual adaptability
- robust polycarbonate lens with uvex's proven supravision coating technology – permanent anti-fog and scratch-resistant lens
- UV400 – 100 % protection against dangerous UVA and UVB radiation up to 400 nm
- a sustainable benefit: lenses headbands can be replaced when required
- metal-free

## 2. Technical Details Body

Frame	
Material	TPE
Colour	anthracite
Headband	
Material	textile headband
Features	individual adjustable, exchangeable
Colour	blue, anthracite
Marking	
Manufacturer 's ID code	W
Applicable EN norm	166
Field of use	3 (drops and splashes of liquid) 4 (large dust particles)
Impact resistance	B (120 m/s)
Resistance to high speed particles at extremes of temperature	T
Conformity symbol	CE

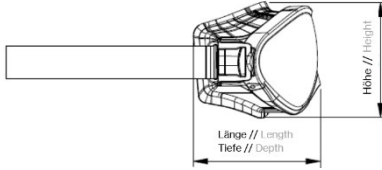
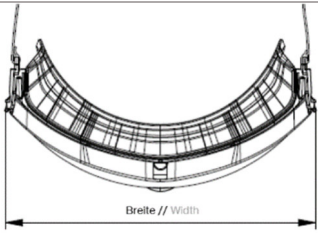
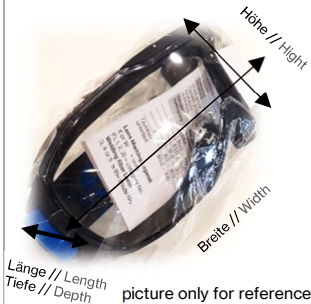
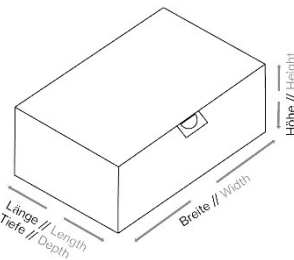
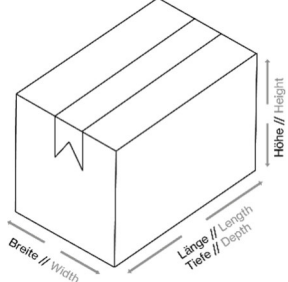
## 3. Technical Details Lens

Material	PC
Thickness	2.4 mm at PD
Coating	uvex supravision excellence
Colour	clear
UV protection	UV400
Marking	
Filter	2C-1.2 (EN 170)
Manufacturer 's ID code	W
Optical class	1
Impact resistance	B (120 m/s)
Resistance to high speed particles at extremes of temperature	T

Scratch resistance	K
Antifog	N
Conformity symbol	CE
Factory symbol	

## 4. Logistical Information

### Product

Weight	96g		
Dimensions (L x W x B) in approx. mm	  <p style="text-align: right;">picture only for reference</p>		
	85 x 193 x 85		
	<b>Packing unit 1</b>	<b>Packing unit 2</b>	<b>Packing unit 3</b>
EAN Code	4031101790794	4031101790794	4031101790794
Quantity in pcs.	1	4	64
Dimensions (L x W x H) in approx. mm	 <p style="text-align: center;">picture only for reference</p>		
	85 x 193 x 85	185 x 290 x 97	600 x 400 x 400
Net weight in approx. g	96	384	6,145
Gross weight in approx. g	130	625	10,870
Country of Origin	Germany		

## 5. Accessories

### Replacement Headband



Material number	9320011
Material headband	textile headband
Material headband slider	PBT
Features	individually adjustable
Colour	blue, anthracite

### Replacement Lens



Material number	9320255
Material	PC
Coating	uvex supravision excellence
Colour	clear

## 6. Miscellaneous

Standards	EN 166 + EN 170
PPE Category	Category II