

DP52 Dennys Waist Apron in 14 Colours



Dennys
LONDON®

35%
Cotton

245g

65°

W: 79cm
L: 61cm

Bleach
Resistant

LS
Laundry
Suitable

amfori BSCI
Trade with purpose

OEKO-TEX®
CONFIDENCE IN TEXTILES
STANDARD 100

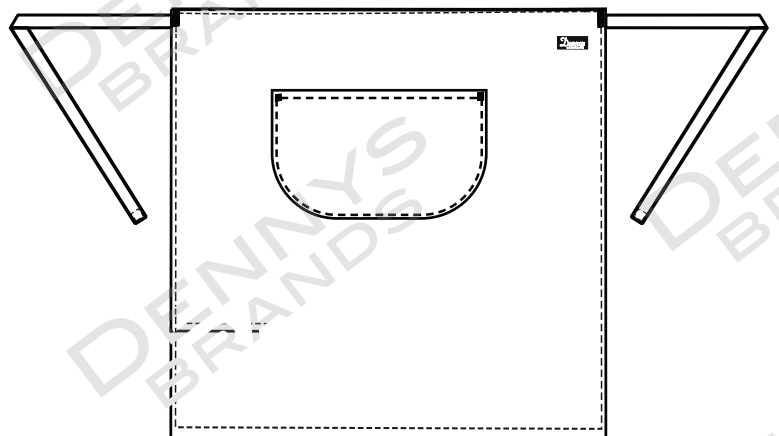
WORLDWIDE RESPONSIBLE
WRAP
ACCREDITED PRODUCTION

Sedex®

DP52

Dennys Waist Apron in 14 Colours

- 65% Polyester, 35% Cotton. 245 gsm
- Wash at 65°C
- W 79cm (31") x L 61cm (24")
- Bleach resistant
- Suitable for embroidery
- Laundry suitable
- Anti tangle tie tapes



Mid Blue	17-4131 TPX
Sea Grass	17-4724 TPX
Navy	19-4027 TPX
Royal Blue	19-3952 TPX
Purple	19-3748 TPX
Bottle Green	19-5408 TPX
Light Olive	17-0336 TPX
Olive green	18-0521 TPX
Griffin	17-0000 TPX
Storm Grey	18-0201 TPX
Biscuit	16-1310 TPX
Claret	19-2024 TPX
Red	18-1763 TPX
Hot Pink	17-2036 TPX
Orange	15-1157 TPX
Sunflower	13-0947 TPX
Light Grey	16-0000 TPX
Khaki	16-1118 TPX
Black	19-4203 TPX
White	11-0602 TPX